

Z536 15-3/8" DIAMETER HEAVY-DUTY PARKING DECK DRAIN WITH SUPPORT FLANGE



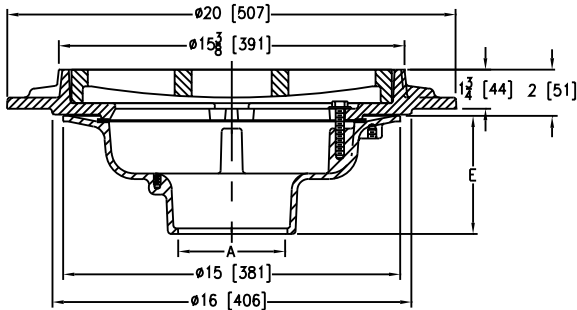
ENGINEERING SPECIFICATION

Zurn Z536 15-3/8" diameter parking deck drain features Dura-Coated cast iron body with bottom outlet, heavy-duty, gasketed drain support flange with heavy-duty, slotted grate.

NOTES

†Add 3/16" to 2" dimension for ZN

A Pipe Size inch [mm]	Grate Open Area sq in [cm ²]	Approximate Weight lb [kg]
3 [76], 4 [102], 6 [152]	56 [361]	95 [43]
8 [203]		97 [44]



PREFIXES	DESCRIPTION	PIPE SIZE	LIST PRICE
Z536*	D.C.C.I. Body and Top	3", 4", 6"	3,145.00
		8"	3,525.00
ZN536	D.C.C.I. Body with Polished Nickel Bronze Top	3", 4", 6"	4,046.00
		8"	4,425.00

OUTLETS (SPECIFY PIPE SIZE IN INCHES AND TYPE OF OUTLET)			
OUTLET TYPE	PIPE SIZE/OUTLET TYPE	E BODY HT. DIM.	ADD
IP	Threaded	4IP	80.00
NH	No-Hub	3NH, 4NH, 6NH, 8NH	N/C
NL	Neo-Loc	3NL, 4NL	N/C

SUFFIXES			ADD
-C	Underdeck Clamp		244.00
-DG	Duresist Grate		1,202.00
-G	Galvanized Cast Iron		1,093.00
-VP	Vandal-Proof Secured Top		149.00
-Y	Sediment Bucket		314.00

BEST SELLERS		LIST PRICE
Z536-3NL-C		3,389.00
Z536-4NH		3,145.00
Z536-4NH-C-VP-Y		3,852.00
Z536-4NH-VP-Y		3,608.00
Z536-4NH-Y		3,459.00
Z536-4NL		3,145.00
Z536-4NL-G		4,238.00
Z536-4NL-Y		3,459.00
Z536-6NH		3,145.00
Z536-6NH-G-VP		4,387.00
Z536-6NH-VP		3,294.00
Z536-6NH-Y		3,459.00
Z536-6NL-G-VP		4,387.00
Z536-8NH		3,525.00
Z536-8NH-Y		3,839.00

Supplied By:



877-903-7246

www.commercialplumbingsupply.com